

# Cable Tie Adhesive Bases

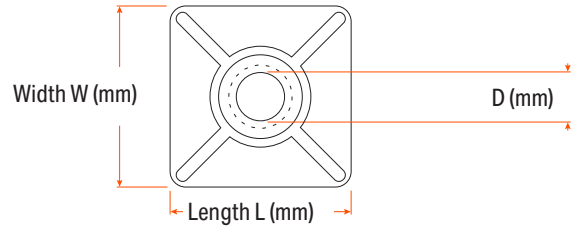


• <b>Material:</b>	UL approved Nylon 66, 94V-2.
• <b>Feature:</b>	Double coated polyethylene foam tape (acrylic, 0.62mm thickness).
• <b>Adhesive:</b>	Self-adhesive tie mounts are designed to support light weight wire bundles.
• <b>Application:</b>	For heavy support, mounting hole is provided for screws.
• <b>Operating Temperature:</b>	-20°C to +85°C.



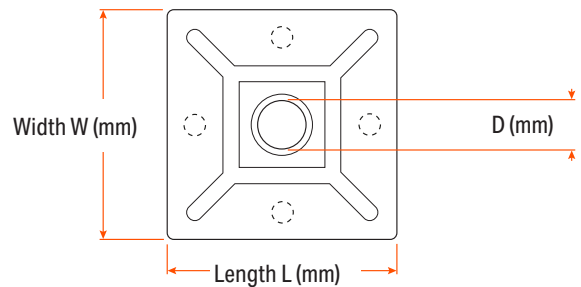
## 19.5 x 19.5mm

Max. Cable Tie Width (mm)



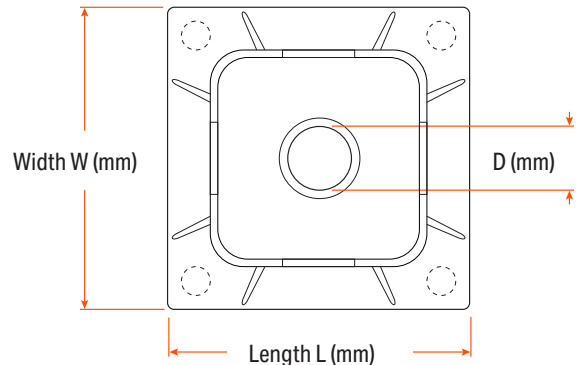
## 26.1 x 26.1mm 28.6 x 28.6mm

Max. Cable Tie Width (mm)



## 40.0 x 40.0mm

Max. Cable Tie Width (mm)



# Cable Tie Adhesive Bases

Item No.	Colour	Width W (mm)	Length L (mm)	Dimensions H (mm)	Suitable for Maximum Cable Tie Width (mm)	Hole D (mm)
CA1-B	Black	19.5	19.5	3.9	3.6	5.2
CA2-B	Black	28.6	28.6	5.3	4.8	5.0
CA14-B	Black	38.5	38.5	7.6	9.0	5.0
CA1-W	Natural	19.5	19.5	3.9	3.6	5.2
CA2-W	Natural	28.6	28.6	5.3	4.8	5.0
CA14-W	Natural	38.5	38.5	7.6	9.0	5.0